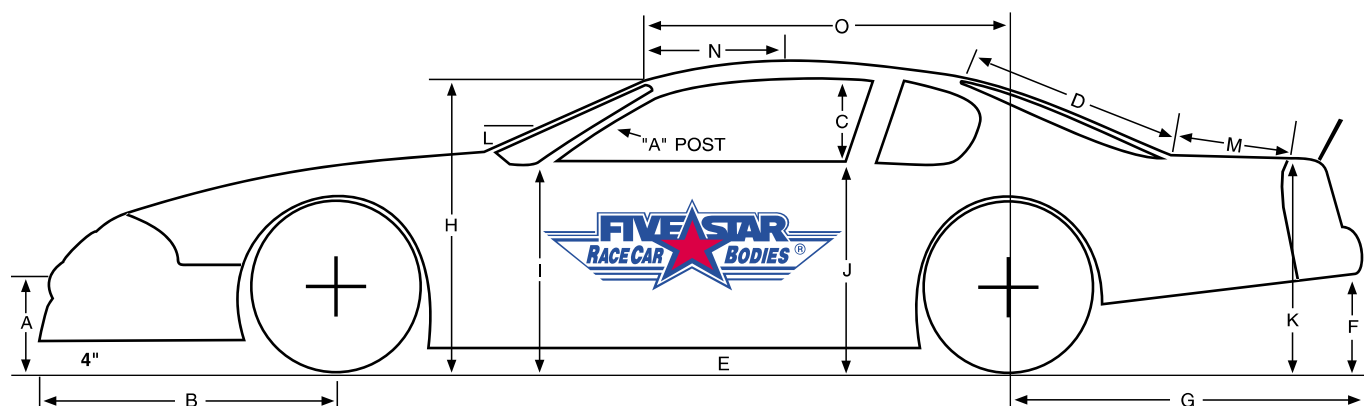


TEMPLATE INSTALLATION GUIDELINES

For Short Track Style Bodies



GUIDELINE DIMENSION (INCHES)	MONTE CARLO	GRAND PRIX	FORD TAURUS	DODGE INTREPID	1999 MONTE CARLO
A NOSE HEIGHT ①	16 1/4	16 1/4	15 1/4	15 1/4	15
B FRONT OVERHANG (MAXIMUM, ON CENTERLINE)	45	45	45	45	45
C SIDE WINDOW OPENING (MINIMUM)	15 1/4	15 1/4	14 1/4	14 1/4	15
D REAR WINDOW LENGTH	32 3/8	32 3/8	30	34 7/8	32 1/2
E SIDE PANEL CLEARANCE (MINIMUM)	4	4	4	4	4
F BUMPER COVER HEIGHT (MAXIMUM)	14	14	13 7/8	13 7/8	13 3/4
G REAR OVERHANG (MAXIMUM, ON CENTERLINE)	51 7/8	51 7/8	51 3/4	51 3/4	51 3/8
H ROOF HEIGHT (MINIMUM) ③	47	47	47	47	47
I FENDER HEIGHT (AT REAR)	32 1/2	32 1/2	32 1/2	32 1/2	32 1/2
J DOOR HEIGHT (AT REAR)	33	33	33	33	33
K QUARTER PANEL HEIGHT (AT REAR)	34 1/2	34 1/2	34 1/2	34 1/2	34 1/2
L WINDSHIELD ANGLE (DEGREES) ②	26/30	26/30	26/28	26/28	27/32
M DECK LID LENGTH (AT CENTER)	17 1/8	17 1/8	17 7/8	15	19 3/4
N FRONT OF ROOF TO CENTER OF REAR AXLE	56	56	57 1/2	57 1/2	58

- ① MEASURED FROM GROUND TO TOP OF BUMPER LINE
- ② DEGREES (AT CENTER/AT ROOF WINDSHIELD POST)
- ③ MEASURED 10 INCHES BACK FROM WINDSHIELD (ON CENTERLINE)

It is our goal to have every car look as good as possible. If you have any mounting problems or questions, please call. We will do whatever we can to help you!

BODY INSTALLATION PRODUCTS

Aerodynamic excellence, great appearance, template fit and easy installation are yours with Five Star's Body Installation Products!

Body Mounting Video, Body Installation Jig, Deluxe Hardware Packages, Body Installation Tubing Kit, Deck Lid Bracket, Hood Pin Bracket, Formed Steel & Aluminum Bumpers and more!

See details on these products and more in Five Star's 2003 Body Styles & Components Catalog.

PO Box 700 • Twin Lakes, Wisconsin 53181
262-877-2171 • FAX: 262-877-3702
www.fivestarbodies.com



INSTALLATION TECH TIP

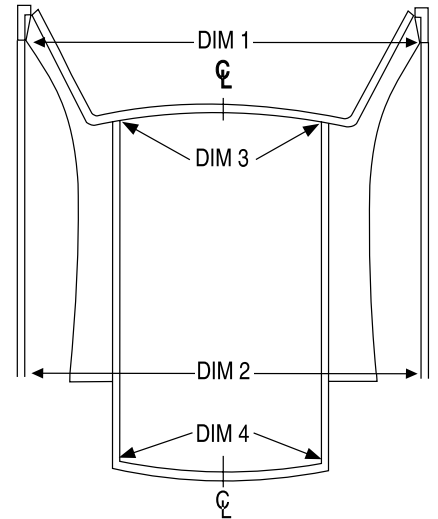
Roof Mounting

The first step to properly mounting a template-legal body is to install the roof at the proper height.

A properly located roof is essential for a properly mounted body. These drawings show roof corner dimensions to help you properly locate the roof. Once the roof is located, confirm the highest point on the roof (Template Installation Guideline Chart Dim. N). This dimension is measured 10" back from the windshield. All dimensions are for a required 47" roof height.

NOTES:

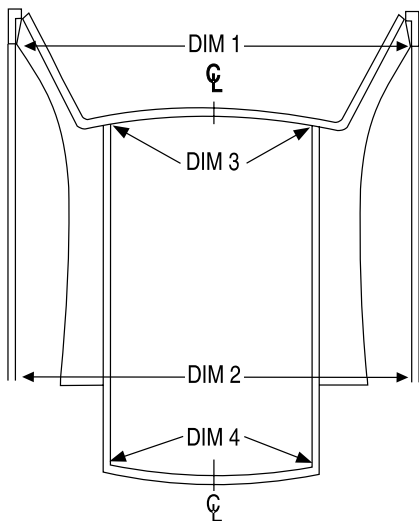
1. All measurements are taken at the edge of the roof (not on the ledge where the window sits) and are measured from the floor up.
2. DIM 1 is measured at the A-post and the inside edge of the doors.
3. DIM 2 is measured at the B-post and the inside edge of the doors.
4. It is essential to mount a Straight-up Fiberglass body on the body centerline in order to ensure proper wheel coverage. Five Star's Body Mounting Video (details on page 199) demonstrates how to find this important measurement.



MONTE CARLO & GRAND PRIX

DIM1	68"
DIM2	67"*
DIM3	44 7/8"
DIM4	44 7/8"

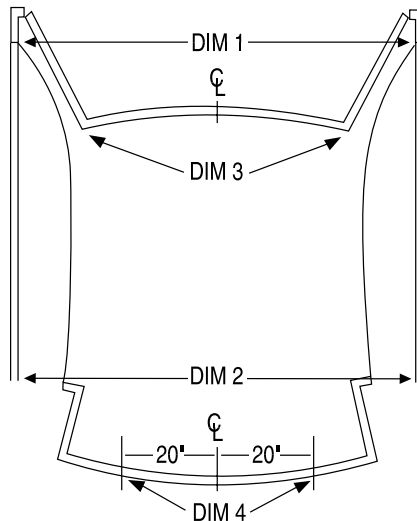
*65 1/2" for straight-up fiberglass



FORD TAURUS

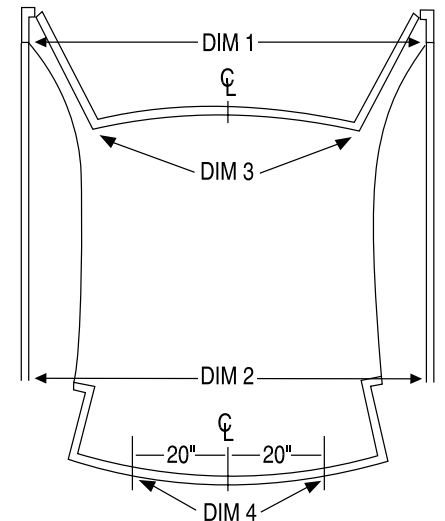
DIM1	68"
DIM2	67"*
DIM3	43 5/8"
DIM4	43 5/8"

*65 1/2" for straight-up fiberglass



DODGE INTREPID

DIM1	68"
DIM2	67"
DIM3	43 1/8"
DIM4	44 5/8"



1999 MONTE CARLO

	48" Roof Height	47" Roof Height or Straight-up Fiberglass
DIM1	68 3/4"	68"
DIM2	67 1/4"	65 1/2"
DIM3	44 5/8"	44 1/4"
DIM4	45 1/8"	45 3/8"